



### PERFORMANCE RANGE

- Flow rate up to **50 l/min** (3 m<sup>3</sup>/h)
- Head up to **70 m**

### APPLICATION LIMITS

- Manometric suction lift up to **9 m** (HS)
- Liquid temperature between **-10 °C** and **+60 °C**
- Ambient temperature up to **+40 °C** (**+45 °C** for PKS 60)
- Max. working pressure **6.5 bar**
- Continuous service **S1**

### CONSTRUCTION AND SAFETY STANDARDS

EN 60335-1  
IEC 60335-1  
CEI 61-150

EN 60034-1  
IEC 60034-1  
CEI 2-3



### CERTIFICATIONS



### INSTALLATION AND USE

Suitable for use with clean water that does not contain abrasive particles and liquids that are not chemically aggressive towards the materials from which the pump is made.

As a result of their compactness, reliability and the fact that they are easy to use, they are suitable for use in domestic applications such as the distribution of water in combination with small pressure sets, for the irrigation of gardens and allotments, for drawing water from tanks and for all those other situations where air or water may be present in the water to be pumped. The pump comes complete with a flap-check valve.

The pump should be installed in an enclosed environment, or at least sheltered from inclement weather.

### PATENTS - TRADE MARKS - MODELS

- Motor bracket: patent n° IT1243605
- Registered Italian model n° 72753

### OPTIONALS AVAILABLE ON REQUEST

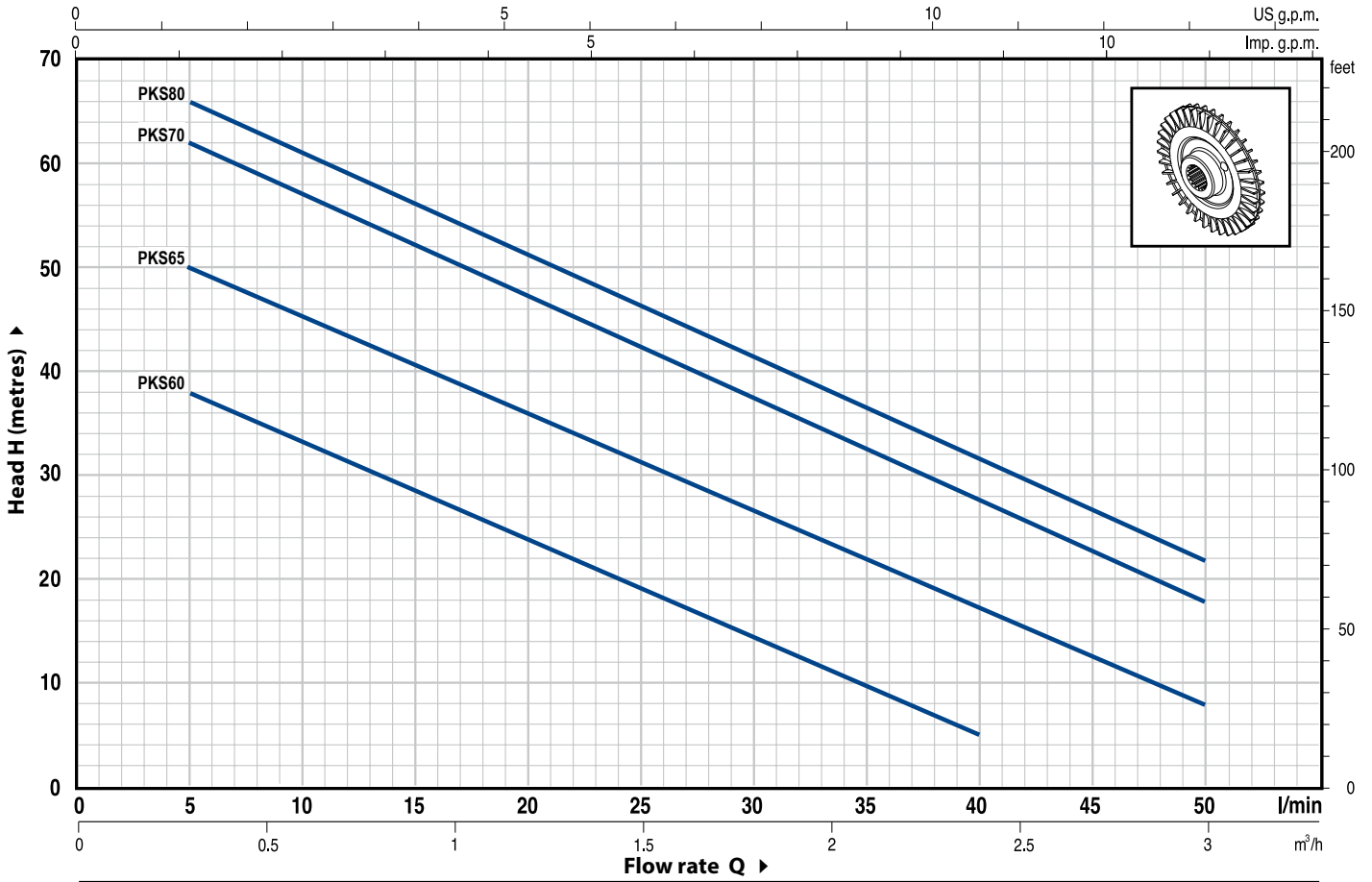
- Special mechanical seal
- Other voltages or 60 Hz frequency
- IP X5 class protection for PKS 70, PKS 80

### GUARANTEE

2 years subject to terms and conditions

**CHARACTERISTIC CURVES AND PERFORMANCE DATA**

**50 Hz n= 2900 1/min HS= 0 m**

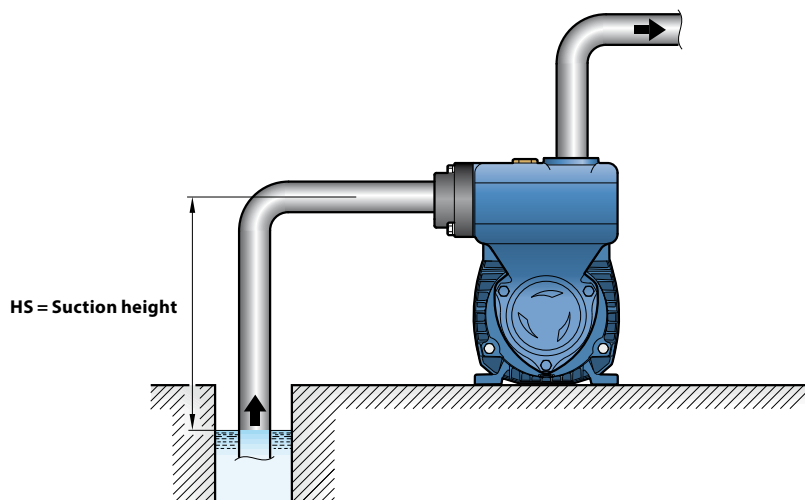


MODEL		POWER		Q	Flow rate														
Single-phase	Three-phase	kW	HP		m³/h	0	0.3	0.6	0.9	1.2	1.5	1.8	2.1	2.4	2.7	3.0			
				l/min	0	5	10	15	20	25	30	35	40	45	50				
PKSm 60	PKS 60	0.37	0.50	H metres	40	38	33.5	29	24	19.5	15	10	5						
PKSm 65	PKS 65	0.50	0.70		55	50	45.5	40.5	36	31	27	22	17	12.5	8				
PKSm 70	PKS 70	0.60	0.85		65	62	57	52	47	42	37	32	27	22	18				
PKSm 80	PKS 80	0.75	1		70	66	61	56	51	46	41	36.5	31	27	22				

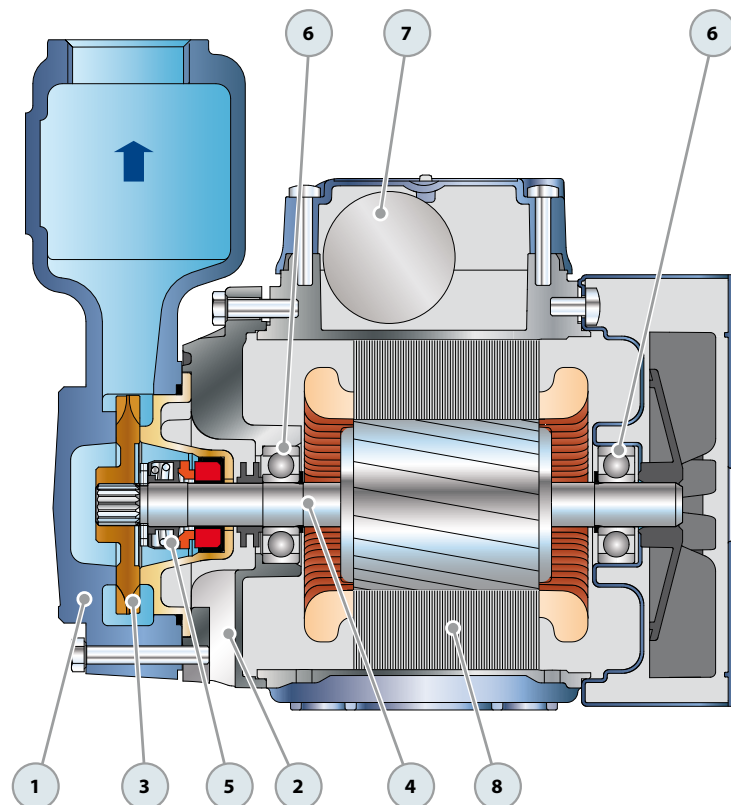
Q = Flow rate H = Total manometric head HS = Suction height

Tolerance of characteristic curves in compliance with EN ISO 9906 Grade 3.

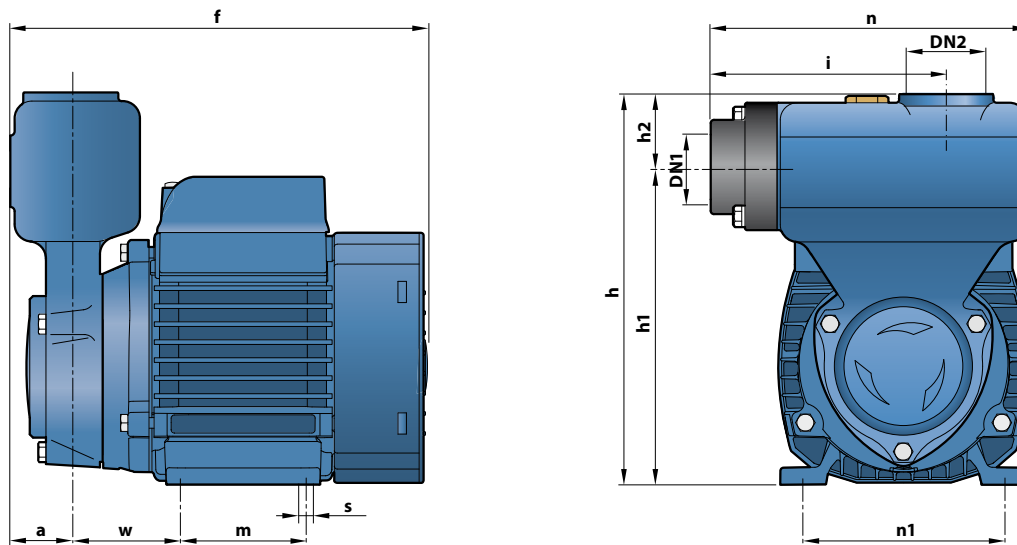
**INSTALLATION EXAMPLE**



POS.	COMPONENT	CONSTRUCTION CHARACTERISTICS				
1	<b>PUMP BODY</b>	Cast iron, complete with threaded ports in compliance with ISO 228/1 and the suction port with built-in flap-check valve				
2	<b>MOTOR BRACKET</b>	Aluminium with brass insert (patented), reduces the risk of impeller seizure				
3	<b>IMPELLER</b>	Brass, with peripheral radial vanes				
4	<b>MOTOR SHAFT</b>	Stainless steel EN 10088-3 - 1.4104				
5	<b>MECHANICAL SEAL</b>	<i>Seal</i>	<i>Shaft</i>	<i>Materials</i>		
		<i>Model</i>	<i>Diameter</i>	<i>Stationary ring</i>	<i>Rotational ring</i>	<i>Elastomer</i>
		AR-12	Ø 12 mm	Ceramic	Graphite	NBR
6	<b>BEARINGS</b>	<i>Pump</i>	<i>Model</i>			
		PKS 60-65	6201 ZZ / 6201 ZZ			
		PKS 70-80	6203 ZZ / 6203 ZZ			
7	<b>CAPACITOR</b>	<i>Pump</i>	<i>Capacitance</i>			
		<i>Single-phase</i>	<i>(230 V or 240 V)</i>	<i>(110 V)</i>		
		PKSm 60	10 µF 450 VL	25 µF 250 VL		
		PKSm 65	14 µF 450 VL	25 µF 250 VL		
		PKSm 70	16 µF 450 VL	60 µF 250 VL		
		PKSm 80	20 µF 450 VL	60 µF 250 VL		
8	<b>ELECTRIC MOTOR</b>	<p><b>PKSm:</b> single-phase 230 V - 50 Hz with thermal overload protector built-in to the winding.</p> <p><b>PKS:</b> three-phase 230/400 V - 50 Hz.</p> <p>⇒ <b>Pumps fitted with the three-phase motor option offer IE2 (IEC 60034-30) class high performance</b></p> <ul style="list-style-type: none"> <li>- Insulation: F class.</li> <li>- Protection: IP X4.</li> </ul>				



## DIMENSIONS AND WEIGHT



MODEL		PORTS		DIMENSIONS mm											kg					
Single-phase	Three-phase	DN1	DN2	a	f	h	h1	h2	i	m	n	n1	w	s	1~	3~				
PKSm 60	PKS 60	1"	1"	29	197	183	149	34	110	55	149	93-100	53	7	6.1	6.1				
PKSm 65	PKS 65				222	190	156			80		100					7.4	6.9		
PKSm 70	PKS 70				260	198	164			90		160							112	62
PKSm 80	PKS 80																10.6	9.7		

## ABSORPTION

MODEL	VOLTAGE (single-phase)		
	230 V	240 V	110 V
Single-phase	230 V	240 V	110 V
PKSm 60	2.5 A	2.4 A	5.5 A
PKSm 65	3.7 A	3.4 A	7.4 A
PKSm 70	5.2 A	4.8 A	10.8 A
PKSm 80	5.2 A	4.8 A	10.8 A

MODEL	VOLTAGE (three-phase)			
	230 V	400 V	240 V	415 V
Three-phase	230 V	400 V	240 V	415 V
PKS 60	2.0 A	1.15 A	1.9 A	1.1 A
PKS 65	3.0 A	1.7 A	2.8 A	1.6 A
PKS 70	3.8 A	2.2 A	3.3 A	1.9 A
PKS 80	3.8 A	2.2 A	3.3 A	1.9 A

## PALLETIZATION

MODEL		GROUPAGE				CONTAINER			
Single-phase	Three-phase	n° pumps	H (mm)	kg		n° pumps	H (mm)	kg	
				1~	3~			1~	3~
PKSm 60	PKS 60	210	1512	1305	1305	270	1914	1671	1671
PKSm 65	PKS 65	150	1150	1134	1059	210	1564	1578	1473
PKSm 70	PKS 70	105	1300	1130	1040	168	1980	1800	1650
PKSm 80	PKS 80	105	1300	1130	1040	168	1980	1800	1650

