



HCP PUMP

We make the reliable pumps

PROFESSIONAL MANUFACTURERS OF SUBMERSIBLE PUMPS

50Hz GENERAL CATALOGUE

ISO 9001 CE DNV GL TÜV



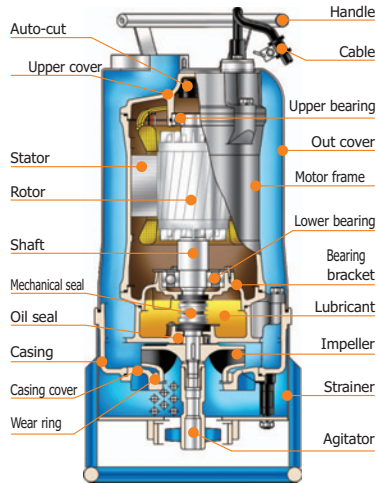
sewage pump, waste water pump, stainless pump, grinder pump, dewatering pump, construction drainage pump,
large volume pump, axial pump, ejector, deep well pump.

HCP PUMP MANUFACTURER.,CO.LTD.

AG SUBMERSIBLE SLURRY DEWATERING PUMPS



AG Type



FEATURE

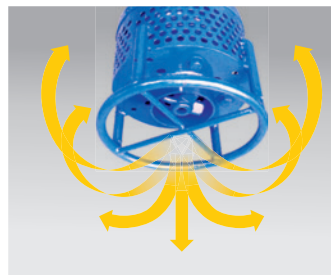
- Designed for civil engineering. Its light weight for easy portability, double outer casing and water cooling motor make it possible to run the pump to low water level.
- Best waterproof structure, automatic reset motor protector and double mechanical seals made of silicon carbide. Durable and leakproof.
- Compact, strong design and easy operation in any place.
- Impeller made of high chrome alloy (HiCr) steel with a hardness of 55~60 Rc. Harden and abrasion resistant.
- Equipped with a cast iron (FCD-700) agitator to create powerful stirring and pumping action for slurry.

APPLICATIONS

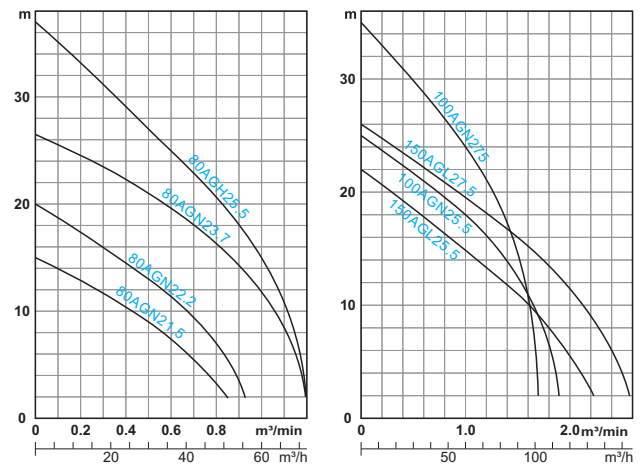
- Civil engineering, dewatering for tunnel engineering, and use for manhole sewer
- Dewatering fluid, containing solid sediment.
- Mobile use for contractors, installers and industry.

SPECIFICATIONS

Discharge (mm)		80 • 100 • 150
Limits Of Use	Liquid Temp.	0~40°C (32~104°F)
	Applications	Dewatering fluid containing solid sediment
	Submersion Depth	30m (100feet)
Type	Frequency	50Hz
	Motor	2P (3000RPM) • Dry Motor
	Insulation	Class B (2~3HP) • Class F(5~10HP)
	Protection	IP68
	Protector	Auto-cut
	Bearing	Ball Type
	M.seal	Double M.seals
	Impeller	Semi-open(H) • Enclosed-channel(N/L)
	Material	Outer Cover
Upper Cover		FC-200
Motor Frame		FC-200 (2~10HP)
Shaft End		SUS403 (2~3HP) SUS304(5~10HP)
M.seal		Upper: Carbon/Ceramic Lower: Silicon/Silicon
Casing		FC-200
Impeller		HiCrFC
Wear Ring/Plate		HiCrFC
Agitator		FCD-700
Cable		VCT or H07RN-F or SJOW/SOW
Optional		Pumps can be customized to fit specifications



PERFORMANCE CURVES



PERFORMANCE SPEC.

Model	HP(kW)	Discharge Inch(mm)	Phase Ø	Start Method	Head (m)	Capacity		Solid Passage (mm)	Weight (kg)		Dimension (mm)					
						m³/min	m³/h		1Ø	3Ø	A	B	C	D		
80AGN21.5	2 (1.5)	3" (80)	1	Capacitor	9	0.5	30	10	41	36	260	596	547	544	499	
80AGN22.2	3 (2.2)	3" (80)	1	Capacitor	13	0.5	30	10	45	40	260	622	547	574	499	
			3	Direct												
80AGN23.7	5 (3.7)	3" (80)	3	Direct	21	0.5	30	10	45	260	577	529				
80AGH25.5	7½ (5.5)	3" (80)	3	Direct	27	0.5	30	10	73	286	683	623				
100AGN25.5	7½ (5.5)	4" (100)	3	Direct	18	1.0	60	10	76	286	683	623				
100AGN27.5	10 (7.5)	4" (100)	3	Direct	24	1.0	60	10	81	286	683	623				
150AGL25.5	7½ (5.5)	6" (150)	3	Direct	11	1.5	90	10	79	286	683	623				
150AGL27.5	10 (7.5)	6" (150)	3	Direct	16	1.5	90	10	82	286	683	623				

Note: Weight Without Cable

