

6SR

6" submersible pumps



PERFORMANCE RANGE

- Flow rate up to **1000 l/min** (60 m³/h)
- Head up to **390 m**

APPLICATION LIMITS

- Maximum liquid temperature **+35 °C**
- Maximum sand content **100 g/m³**
- **100 m** immersion limit
- Installation:
 - vertical
 - horizontal, with the following limits: up to **12 stages** or **11 kW**
- Starts/hour: 20 at regular intervals
- Minimum flow rate for motor cooling **16 cm/s** (0.5 m/s for 30 kW)
- Continuous service **S1**

CONSTRUCTION AND SAFETY STANDARDS

ELECTRIC MOTOR

– Three-phase 400 V - 50 Hz

4 m long power cable

EN 60034-1
IEC 60034-1
CEI 2-3



CERTIFICATIONS



INSTALLATION AND USE

Suitable for use with clean water with a sand content of no more than 100 g/m³. As a result of their high efficiency and reliability, they are suitable for use in civil, agricultural and industrial applications such as for the distribution of water in combination with pressure sets, for irrigation and for pressure boosting in fire-fighting sets, etc.

OPTIONALS AVAILABLE ON REQUEST

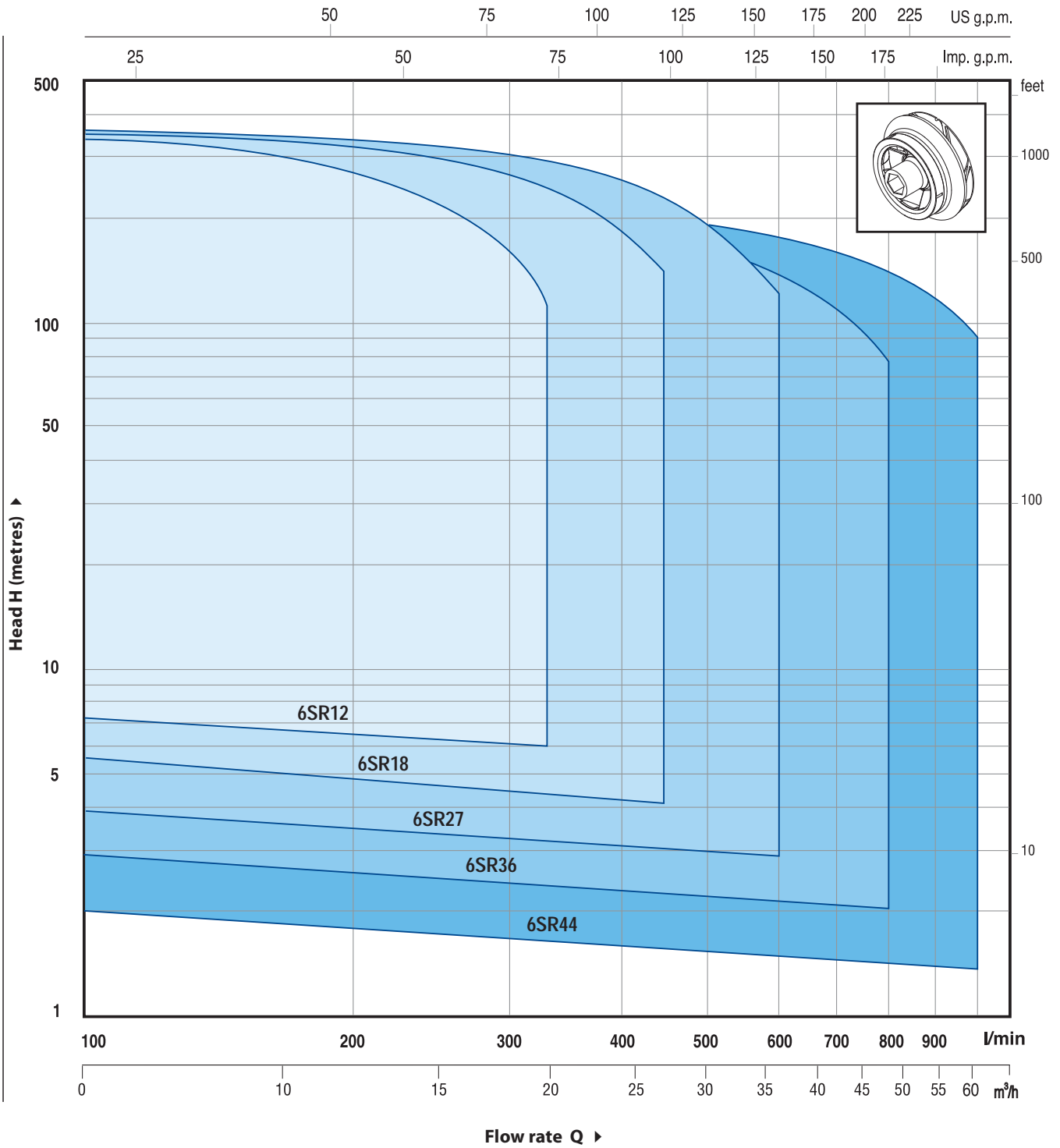
- 6SR-HYD pumps with double cable cover suitable for dual voltage 400/690 V (star/delta) motors from 11 kW to 30 kW
- Other voltages or 60 Hz frequency

GUARANTEE

2 years subject to terms and conditions

PERFORMANCE RANGE

50 Hz n= 2900 1/min



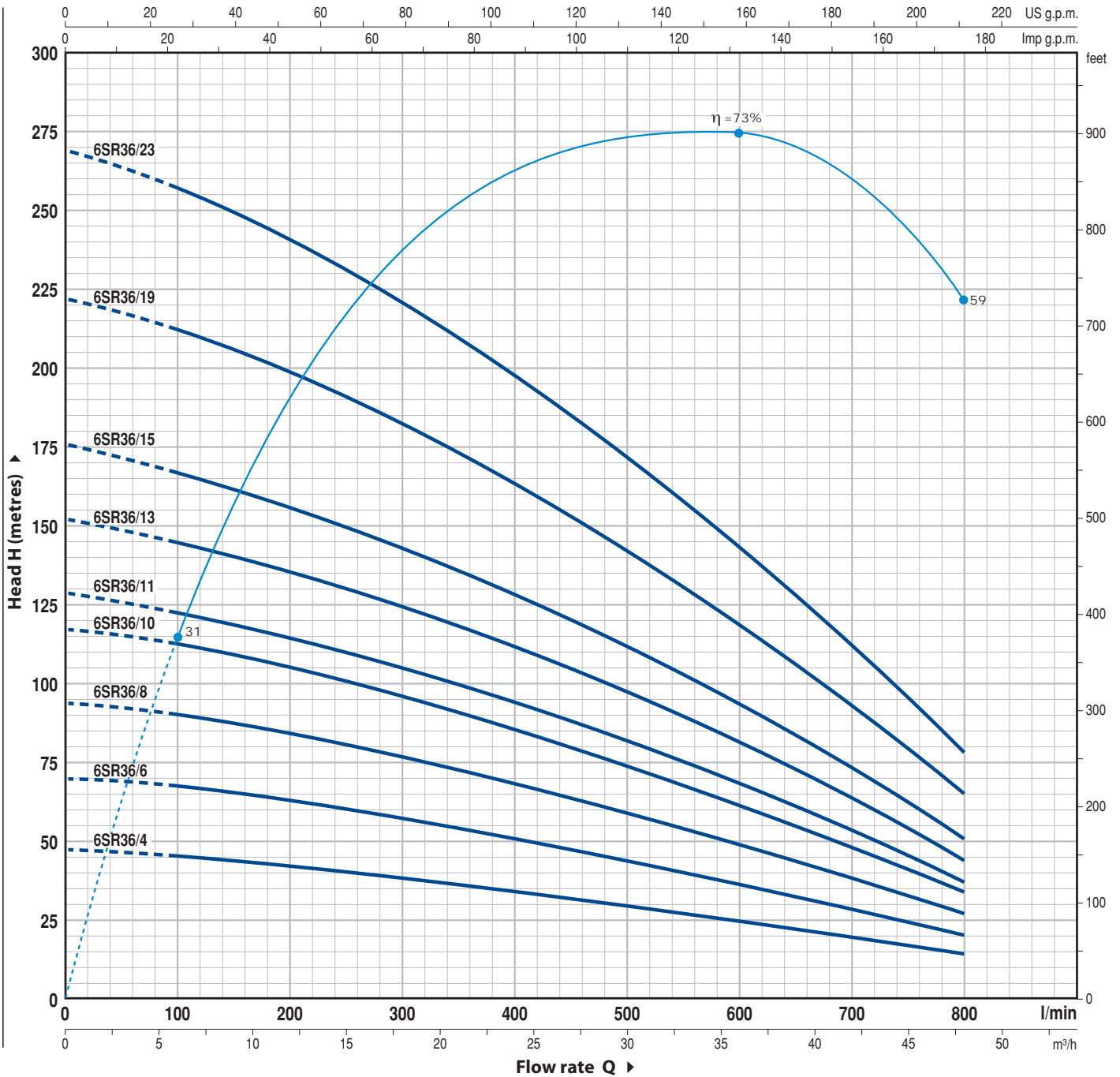
DESCRIPTION

6 SR 12 / 8 - PD or HYD

- Borehole diameter in inches _____
- Series _____
- Flow rate in m³/h at the point of highest efficiency _____
- Number of stages _____
- PD:** pump with "PEDROLLO" motor _____
- HYD:** pump without motor _____

CHARACTERISTIC CURVES AND PERFORMANCE DATA

50 Hz n= 2900 1/min

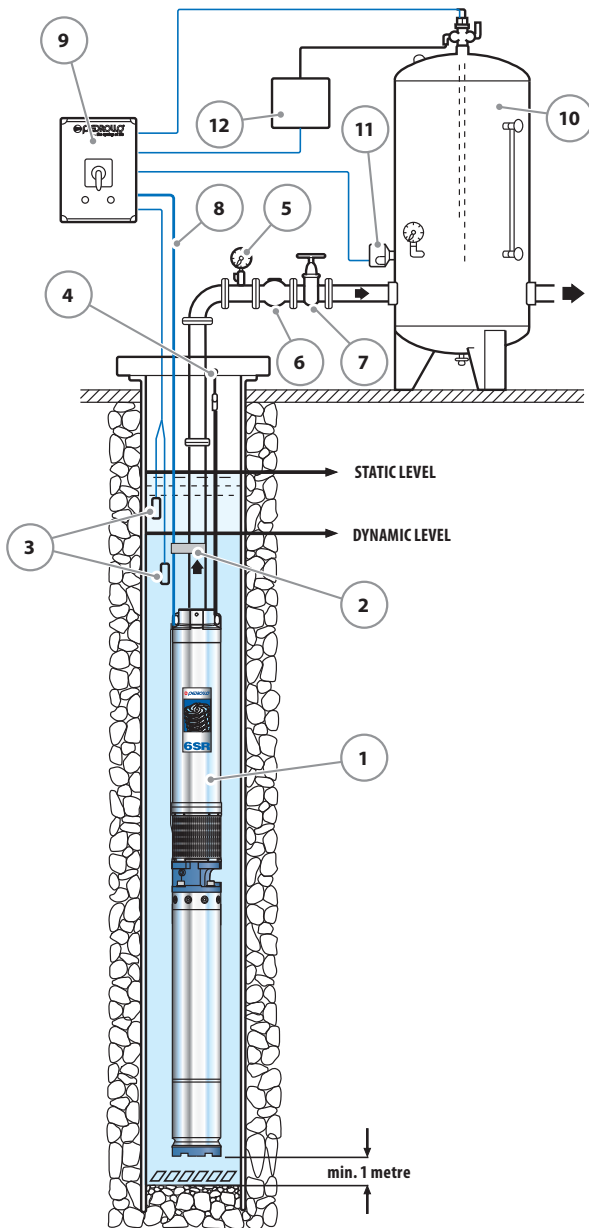


MODEL	POWER		Q	Flow rate											
	kW	HP		0	6	12	18	24	30	36	42	48			
Three-phase				0	100	200	300	400	500	600	700	800			
6SR36/4	4	5.5	H metres	47	45	42	38	34	29	25	19	14			
6SR36/6	5.5	7.5		70	67	63	57	51	44	37	29	20			
6SR36/8	7.5	10		94	89	84	76	68	59	50	39	27			
6SR36/10	9.2	12.5		117	111	105	95	85	74	62	48	34			
6SR36/11	11	15		129	123	115	105	93	81	68	53	37			
6SR36/13	13	17.5		152	145	136	124	110	96	81	63	44			
6SR36/15	15	20		176	167	157	143	127	110	93	72	51			
6SR36/19	18.5	25		222	212	199	181	161	140	118	92	65			
6SR36/23	22	30		269	256	241	219	195	169	143	111	78			

Q = Flow rate H = Total manometric head

Tolerance of characteristic curves in compliance with EN ISO 9906 App. A.

INSTALLATION EXAMPLE

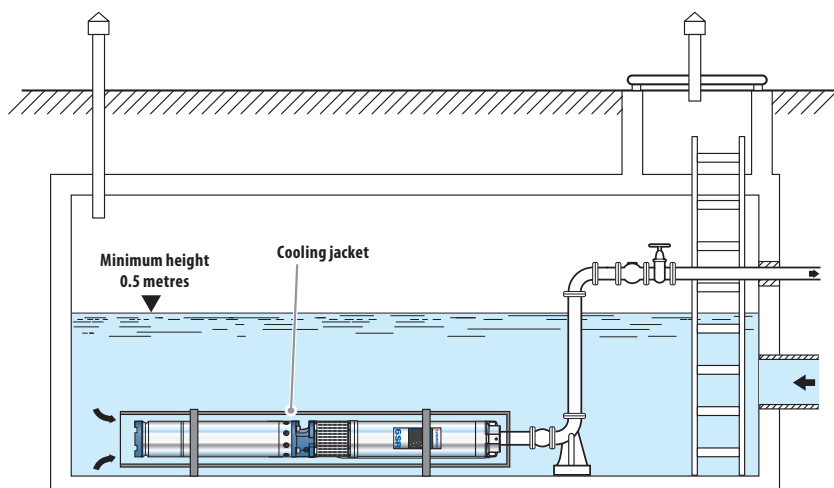


Vertical installation

→ The 6SR series pumps should be installed in boreholes of at least 6" (150 mm) in diameter. The pump should be lowered into the borehole, by means of the delivery pipe, to such a depth (min. 50 cm and at least one metre from the bottom) that it is completely immersed during operation when the level of water in the borehole may reduce. It is good practice to secure the pump by attaching a stainless steel cable to the anchorage points present on the delivery body.

COMPONENTS

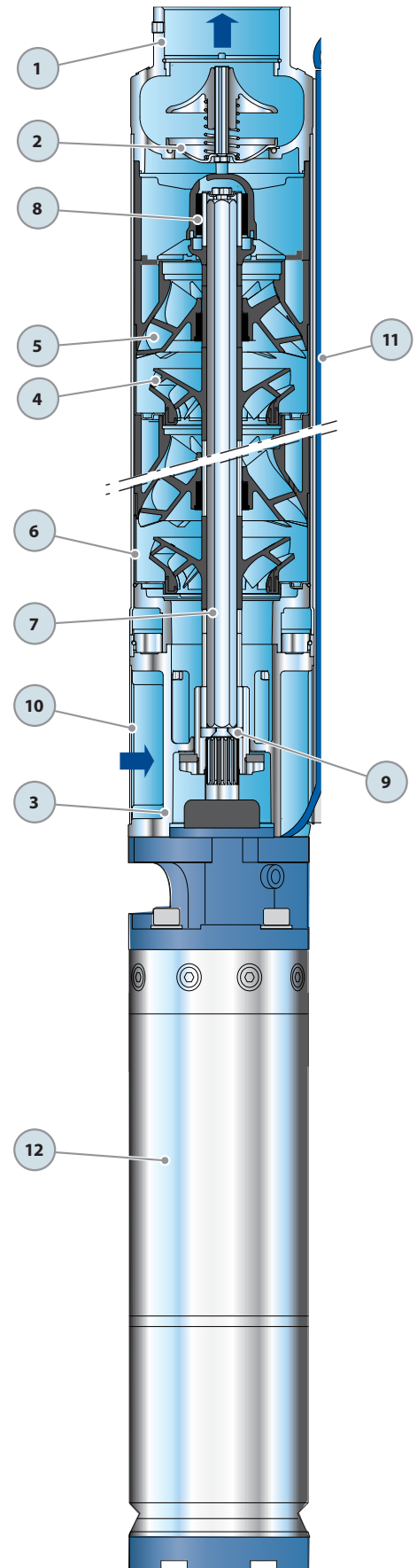
- 1) Submersible pump
- 2) Power cable clamps
- 3) Level probes
- 4) Pump anchorage
- 5) Pressure gauge
- 6) Non-return valve
- 7) Gate valve; for flow rate regulation
- 8) Power cable
- 9) Control box
- 10) Pressure vessel
- 11) Pressure switch
- 12) Electro valve/electro-compressor



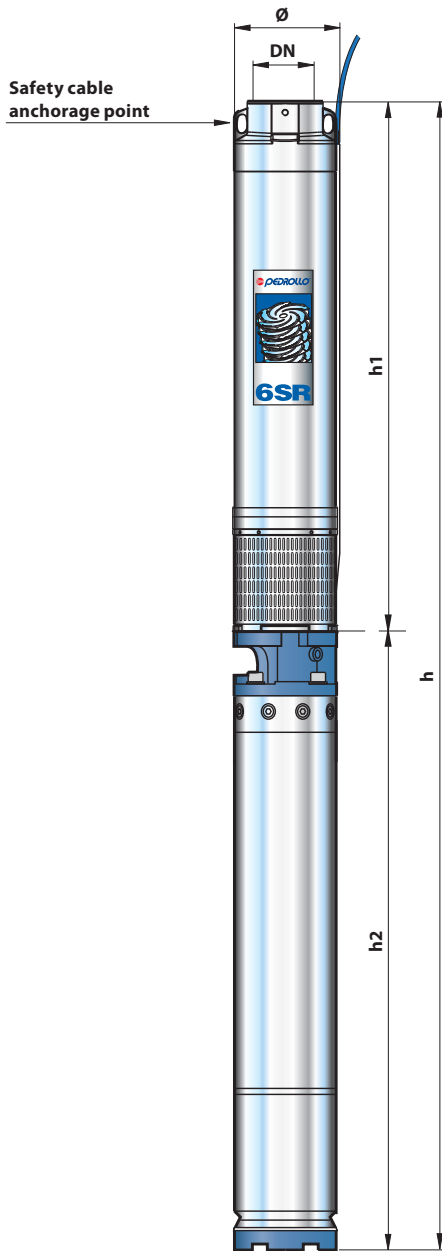
Cooling jacket

It is necessary to fit the pump with a cooling jacket in installations in storage tanks, rivers and lakes in order to prevent the motor from overheating.

POS. COMPONENT	CONSTRUCTION CHARACTERISTICS
1 DELIVERY BODY	Stainless steel AISI 304 complete with threaded delivery port in compliance with ISO 228/1
2 NON-RETURN VALVE	Stainless steel AISI 304
3 MOTOR BRACKET	Nickel-plated cast iron, in compliance with NEMA standards
4 IMPELLERS	Special-rubber coated Noryl GFN2V
5 DIFFUSERS	Noryl GFN2V
6 DIFFUSOR CASING	Stainless steel AISI 304
7 PUMP SHAFT	Stainless steel AISI 304
8 PUMP BEARINGS	Special-technopolymer housing with stainless steel AISI 316, chrome oxide coated, sand resistant shaft bushing
9 DRIVE COUPLING	Stainless steel AISI 420
10 FILTER	Stainless steel AISI 304
11 CABLE COVER	Stainless steel AISI 304
12 MOTOR 6"	6PD = "PEDROLLO"



DIMENSIONS AND WEIGHT



MODEL	PORT DN	Ø	DIMENSIONS mm			kg 3~
			h1	h2	h	
Three-phase						
6 SR 12/8 - PD	3"	149.5	719	633	1352	53.8
6 SR 12/11 - PD			849	667	1516	60.9
6 SR 12/15 - PD			1068	698	1766	66.8
6 SR 12/18 - PD			1198	731	1929	73.0
6 SR 12/21 - PD			1328	826	2154	83.9
6 SR 12/25 - PD			1502	894	2396	96.0
6 SR 12/28 - PD			1632	894	2526	98.1
6 SR 18/4 - PD			545	633	1178	49.6
6 SR 18/6 - PD			632	667	1299	53.6
6 SR 18/9 - PD			762	698	1460	60.3
6 SR 18/11 - PD			849	731	1580	67.0
6 SR 18/13 - PD			981	826	1807	76.9
6 SR 18/15 - PD			1068	894	1962	84.6
6 SR 18/18 - PD			1198	894	2092	87.6
6 SR 18/22 - PD			1371	959	2330	99.7
6 SR 18/26 - PD			1545	1116	2661	125.7
6 SR 27/4 - PD			583	633	1216	47.9
6 SR 27/5 - PD			636	667	1303	53.5
6 SR 27/7 - PD			742	698	1440	58.8
6 SR 27/8 - PD			795	731	1526	63.0
6 SR 27/10 - PD			901	826	1727	74.1
6 SR 27/12 - PD			1051	894	1945	83.6
6 SR 27/14 - PD			1157	894	2051	85.9
6 SR 27/17 - PD			1316	959	2275	97.5
6 SR 27/20 - PD			1474	1116	2590	123.0
6 SR 27/27 - PD			1845	1243	3088	135.8
6 SR 36/4 - PD			823	633	1456	55.4
6 SR 36/6 - PD			1049	667	1716	64.0
6 SR 36/8 - PD			1275	698	1973	71.0
6 SR 36/10 - PD			1501	731	2232	76.2
6 SR 36/11 - PD			1613	826	2439	90.0
6 SR 36/13 - PD			1839	894	2733	102.0
6 SR 36/15 - PD			2065	894	2959	107.0
6 SR 36/19 - PD			2517	959	3476	121.0
6 SR 36/23 - PD			2969	1116	4085	154.0
6 SR 44/3 - PD			710	633	1343	54.0
6 SR 44/4 - PD			823	667	1490	57.5
6 SR 44/5 - PD			936	698	1634	63.1
6 SR 44/6 - PD			1049	731	1780	70.0
6 SR 44/8 - PD			1275	826	2101	82.2
6 SR 44/9 - PD			1388	894	2282	92.0
6 SR 44/11 - PD			1613	894	2507	97.0
6 SR 44/13 - PD	1839	959	2798	110.0		
6 SR 44/16 - PD	2178	1116	3294	141.0		
6 SR 44/21 - PD	2743	1243	3986	154.3		