

EN  
**NEW**

# 2÷5CR



## NEW

### TECHNICAL CHARACTERISTICS

- ▶ Completely renewed range
- ▶ New design
- ▶ New improved hydraulic, even more reliable and with higher performance
- ▶ Reduced energy consumption
- ▶ The quietest model in the centrifugal series

### INSTALLATION AND USE

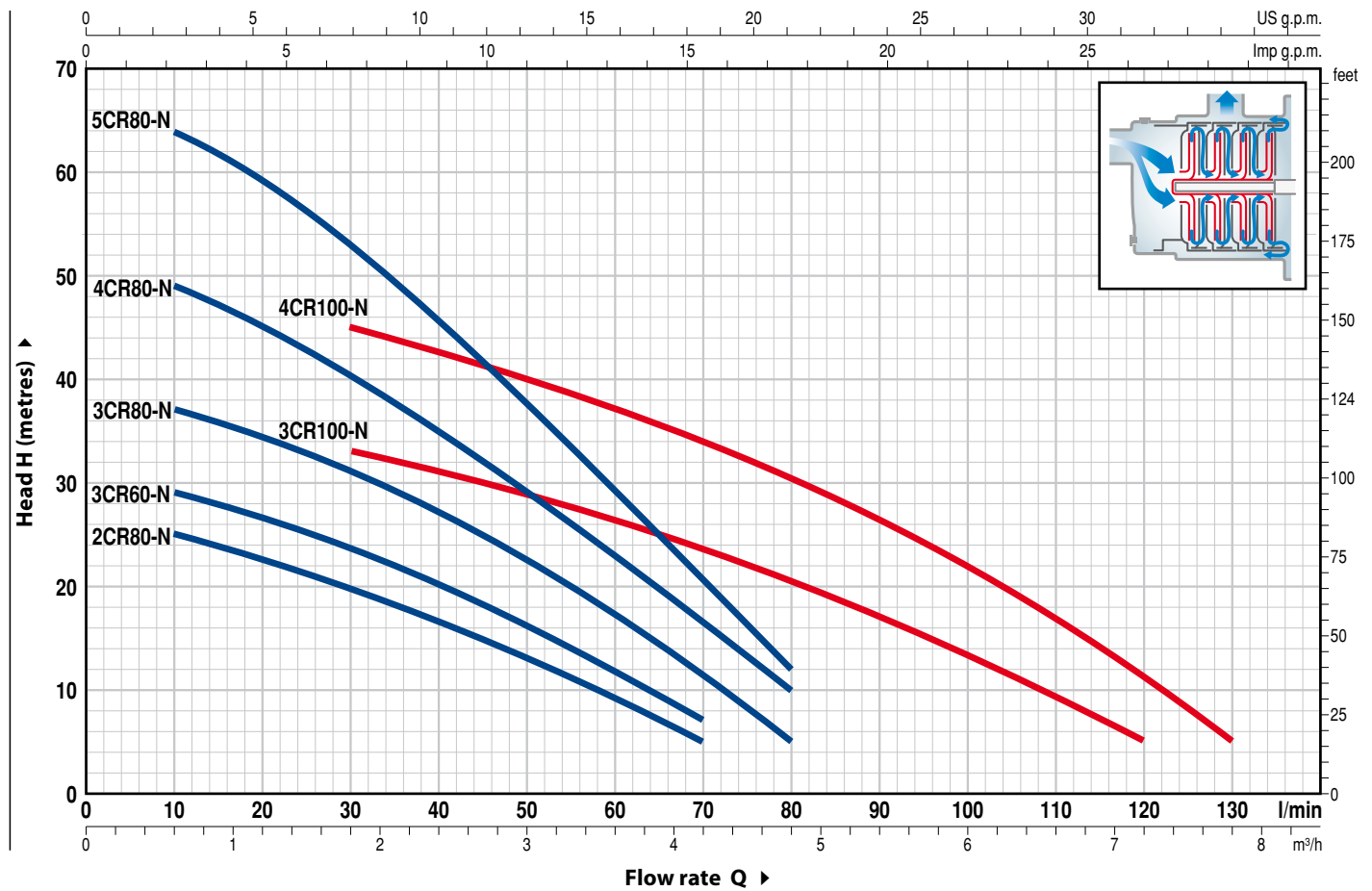
Suitable for use with clean water and liquids that are not chemically aggressive towards the materials from which the pump is made. As a result of their quietness, these pumps are widely used in domestic applications such as the distribution of water in combination with small and medium sized pressure sets, and for the irrigation of gardens and allotments, etc.

### APPLICATION LIMITS

- Manometric suction lift up to **7 m**
- Liquid temperature between **-10 °C** and **+40 °C**
- Ambient temperature up to **+40 °C**
- Max. working pressure **7 bar**
- Continuous service **S1**

## CHARACTERISTIC CURVES AND PERFORMANCE DATA

50 Hz n= 2900 1/min HS= 0 m



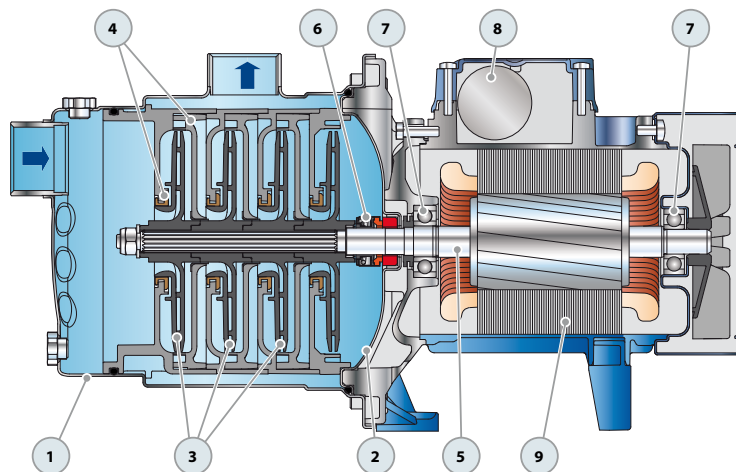
MODEL		POWER		Q	m <sup>3</sup> /h																	
Single-phase	Three-phase	kW	HP		0	0.3	0.6	0.9	1.2	1.5	1.8	2.4	3.0	3.6	4.2	4.8	5.4	6.0	6.6	7.2	7.8	
				l/min	0	5	10	15	20	25	30	40	50	60	70	80	90	100	110	120	130	
2CRm 80 -N	-	0.37	0.50	H metres	27	26	25	24	22.5	21	20	16.5	13	9	5							
3CRm 60 -N	3CR 60 -N	0.37	0.50		31	30	29	28	26.5	25	23.5	20	16	11.5	7							
3CRm 80 -N	3CR 80 -N	0.45	0.60		40	38	37	36	34.5	33	31	27	22.5	17	11	5						
4CRm 80 -N	4CR 80 -N	0.55	0.75		52	50	49	47	44.5	42	40	34	28.5	22.5	16	10						
5CRm 80 -N	5CR 80 -N	0.75	1		67	66	64	62	59	56	53	45.5	37.5	29.5	20.5	12						
3CRm 100-N	3CR 100-N	0.55	0.75		38	37	36	35	34.5	33.5	33	31	28	26	23	20	17	13.5	10	5		
4CRm 100-N	4CR 100-N	0.75	1		50	50	49	48	47	46	45	42	39.5	37	34	30.5	26.5	22	17	11	5	

Q = Flow rate H = Total manometric head HS = Suction height

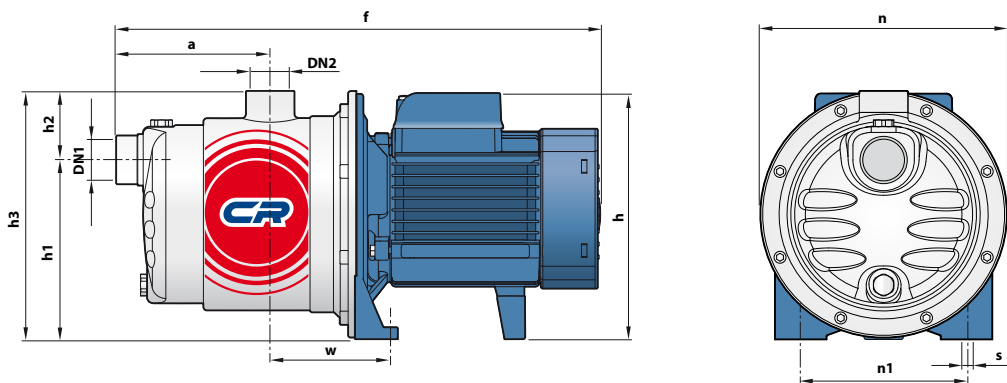
Tolerance of characteristic curves in compliance with EN ISO 9906 Grade 3.

**POS. COMPONENT CONSTRUCTION CHARACTERISTICS**

<b>1 PUMP BODY</b>	Stainless steel AISI 304, complete with threaded ports in compliance with ISO 228/1				
<b>2 BODY BACKPLATE</b>	Stainless steel AISI 304				
<b>3 IMPELLERS</b>	Noryl FE1520PW				
<b>4 DIFFUSERS</b>	Noryl FE1520PW complete with anti-wear ring				
<b>5 MOTOR SHAFT</b>	Stainless steel EN 10088-3 - 1.4104				
<b>6 MECHANICAL SEAL</b>	<i>Seal Model</i>	<i>Shaft Diameter</i>	<i>Stationary ring</i>	<i>Materials</i> <i>Rotational ring</i> <i>Elastomer</i>	
	<b>AR-13</b>	<b>Ø 13 mm</b>	Ceramic	Graphite	NBR
<b>7 BEARINGS</b>	<i>Pump</i>		<i>Model</i>		
	<b>2CR 80 -N</b>	<b>4CR 80 -N</b>	<b>6202 ZZ - C3 / 6201 ZZ</b>		
	<b>3CR 60 -N</b>	<b>3CR 100-N</b>			
	<b>3CR 80 -N</b>				
<b>8 CAPACITOR</b>	<i>Pump</i>		<i>Capacitance</i>		
	<i>Single-phase</i>		<i>(230 V or 240 V)</i>	<i>(110 V)</i>	
	<b>2CRm 80 -N</b>	<b>3CRm 60 -N</b>	<b>10 µF 450 VL</b>	<b>25 µF 250 VL</b>	
	<b>3CRm 80 -N</b>		<b>12.5 µF 450 VL</b>	<b>25 µF 250 VL</b>	
	<b>4CRm 80 -N</b>	<b>3CRm 100-N</b>	<b>14 µF 450 VL</b>	<b>25 µF 250 VL</b>	
<b>4CRm 100-N</b>	<b>5CRm 80 -N</b>	<b>20 µF 450 VL</b>	<b>60 µF 300 VL</b>		
<b>9 ELECTRIC MOTOR</b>	<b>2÷5CRm:</b> single-phase 230 V - 50 Hz with thermal overload protector built-in to the winding.				
	<b>2÷5CR:</b> three-phase 230/400 V - 50 Hz.				
	➔ <b>Pumps fitted with the three-phase motor option offer IE2 (IEC 60034-30) class high performance.</b>				
	➔ <b>Stator and rotor are made out of magnetic sheet with low iron loss.</b>				
- Insulation: F class.    - Protection: IP X4.					



**DIMENSIONS**



MODEL		PORTS		DIMENSIONS mm									
Single-phase	Three-phase	DN1	DN2	a	f	h	h1	h2	h3	n	n1	w	s
2CRm 80 -N	-	1"	1"	113	357	182	132	51	183	182	120	87	9
3CRm 60 -N	3CR 60 -N												
3CRm 80 -N	3CR 80 -N												
4CRm 80 -N	4CR 80 -N			138	411	202							
5CRm 80 -N	5CR 80 -N												
3CRm 100-N	3CR 100-N												
4CRm 100-N	4CR 100-N	113	357	182	9								
			386	202	10								



**Pedrollo S.p.A.** – Via Enrico Fermi, 7 – 37047 – San Bonifacio (VR)  
tel. +39 045 6136311 – fax +39 045 7614663 – sales@pedrollo.com – www.pedrollo.com